

Essential Fabric Display – **Serpentine**

Assembly Instructions



Overview:

Essential Serpentine fabric displays is a single or double-sided fabric banner stand. Simply connect the basic lightweight aluminum tube frame, slip the fabric graphic on and you have a sleekly serpentine-curved stand in minutes.

Features and Benefits:

- | | |
|--------------------------|---|
| - Single or double-sided | - Kit includes: one frame, pillowcase zipper fabric graphic, and canvas carry bag |
| - Easy to store and ship | - One year limited hardware warranty against manufacturer defects |
| - Quick to set up | |

Hardware Dimensions:

Assembled unit: 36.25" w x 89.5" h x 34.5" d 920.75mm(w) x 2273.3mm(h) x 876.3mm(d)	Approximate weight with cases: 13.5 lbs / 6.1 kgs
---	---

Graphic Material:

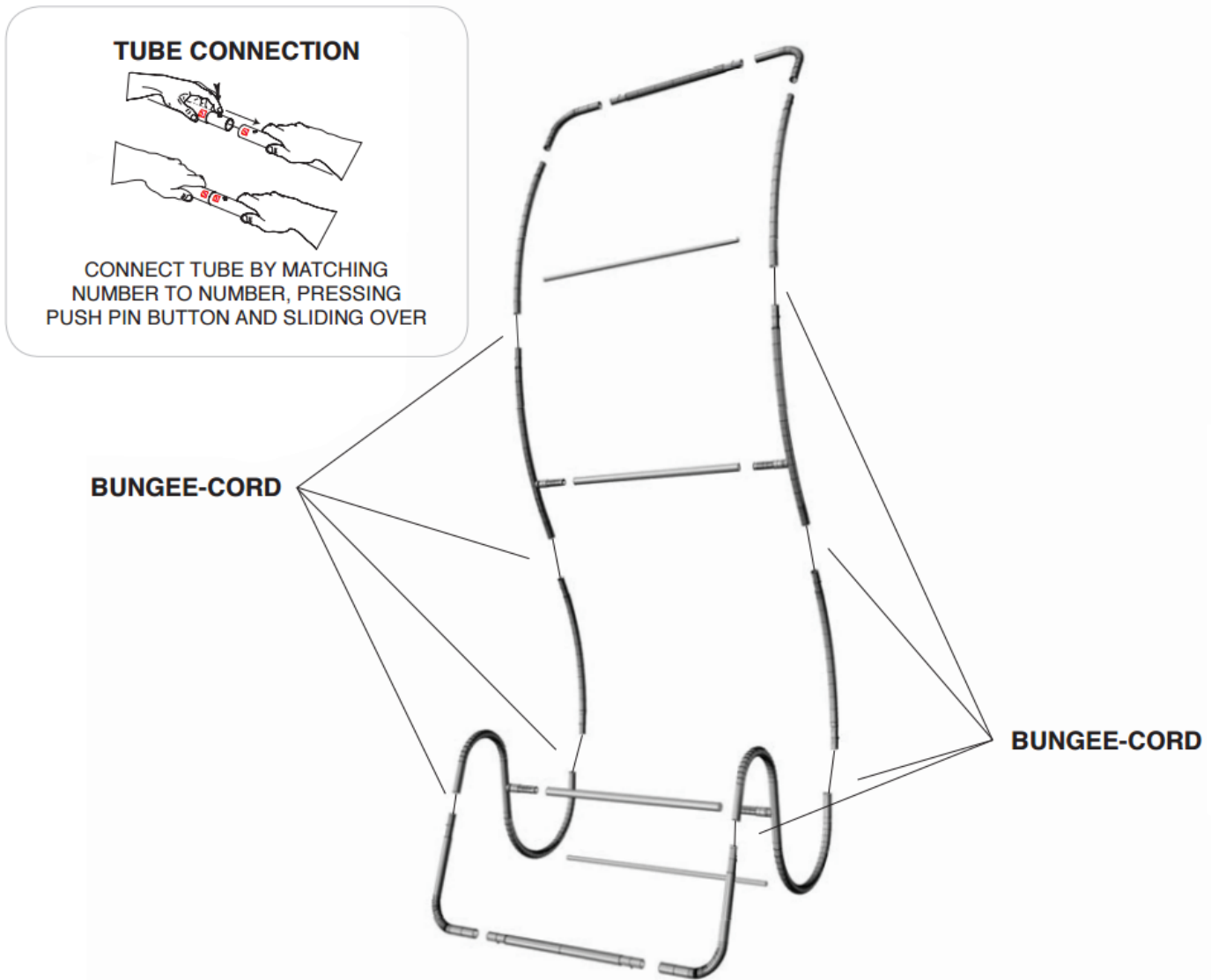
Dye-sublimated slip-over graphics

Essential Fabric Display – **Serpentine**

Assembly Instructions

Assembly View:

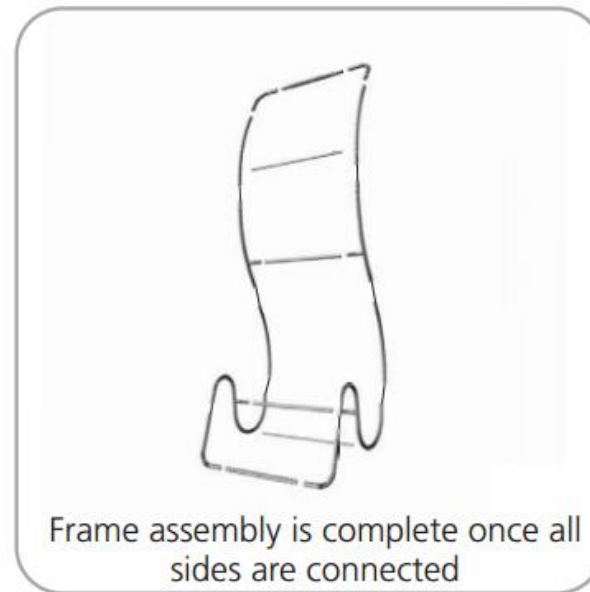
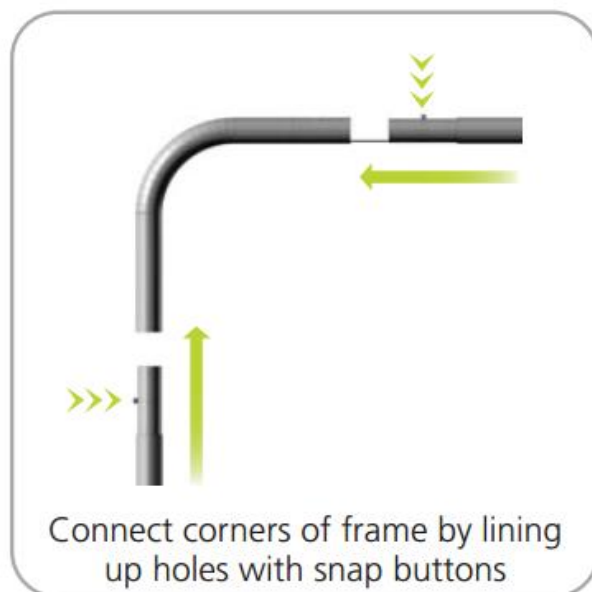
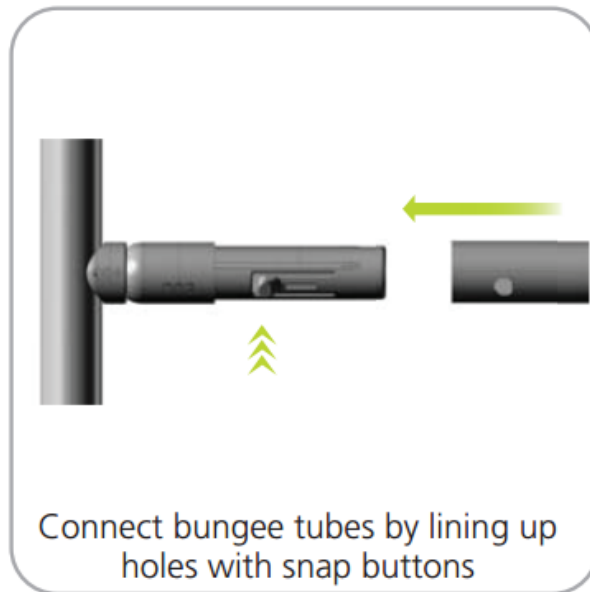
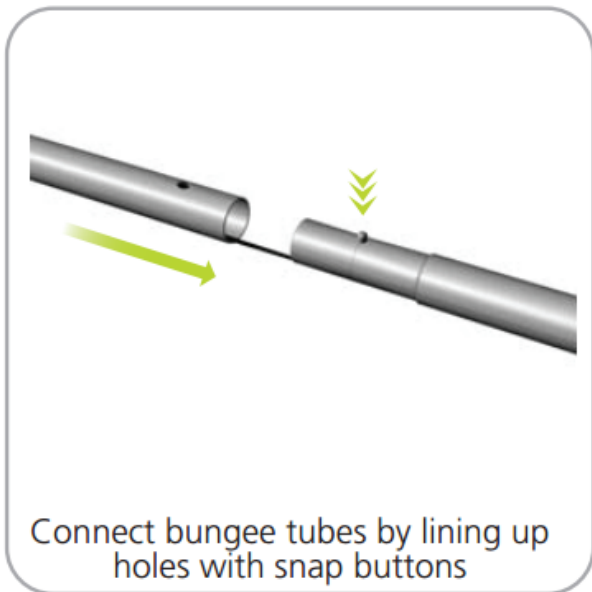
Assemble unit by laying tubes flat on the floor. Connect the bungee tube rails by pressing the push snap buttons in and sliding over (see drawing below) following the number labels listed, T1 to T1, T2 to T2 and so on.



Assembly Instructions

Step by Step Instructions:

STEP 1: ASSEMBLE FRAME



Essential Fabric Display – **Serpentine**

Assembly Instructions

STEP 2: ATTACH GRAPHIC

